

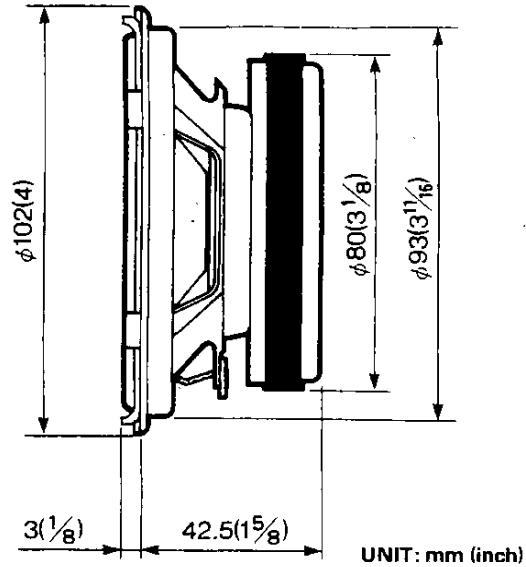
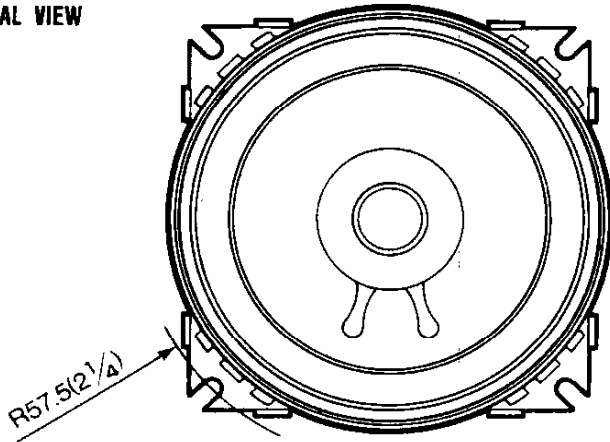
KFC-106E

SERVICE MANUAL

KENWOOD




©1988-12 PRINTED IN JAPAN
B51-3772-00(B)1107

EXTERNAL VIEW



O.C.
COPY

PARTS INCLUDED

-  3m(10ft)..... X2
-  $\phi 4-20(3/16-13/16)$ X8
- ..... X8

SPECIFICATIONS

- Speaker.....10cm(4in) Water proof treatment
cone type
167g(5.9oz) Magnet
- Peak power.....45 Watts
- Frequency Response.....60Hz ~ 20,000Hz
- Sensitivity.....90dB/W at 1m
- Impedance.....4 ohms
- Weight per speaker with grille.....0.51kg(1lb 2oz)/pc

We follow a policy of advancements in development.
For this reason specifications may be changed without notice.

PARTS LIST

★ New parts
Parts without **Parts No.** are not supplied.
Les articles non mentionnés dans le **Parts No.** ne sont pas fournis.
Teile ohne **Parts No.** werden nicht geliefert.

Ref No.	New Parts	Parts No.	Description
		B46-0100-10	WARRANTY CARD
	★	E30-1238-08	CORD SET
	★	N99-1088-08	SCREW SET
	★	T07-0145-08	SPEAKER